

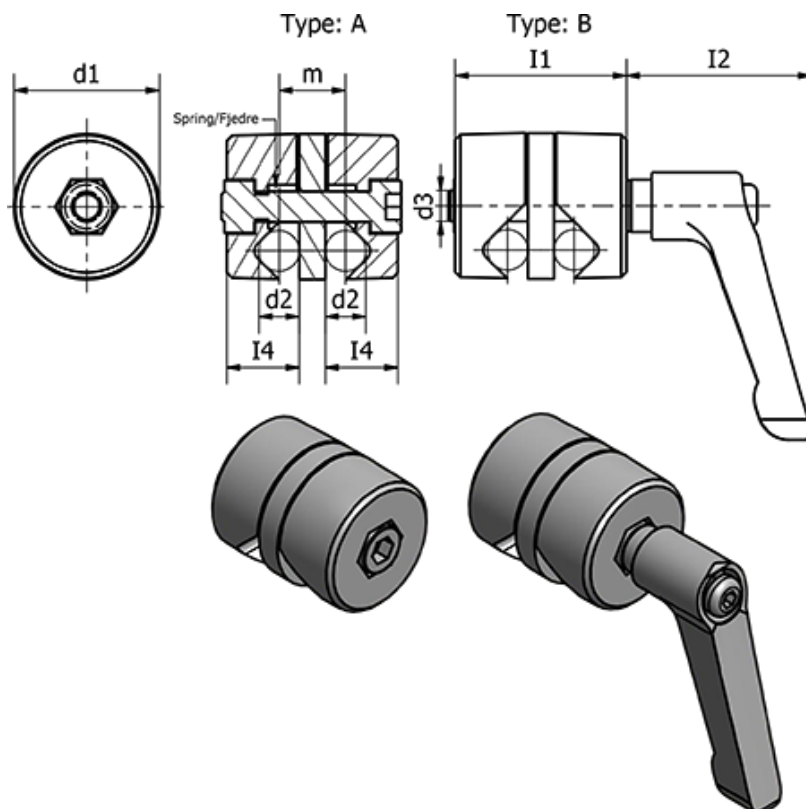
Data Sheet



Article number: 204903210AMT

Description: E+G Clamp mounting - GN 490-32-10-A-MT

Measures



d1 = 32	m = 15
d2 = 10	Weight (g) = 96
d3 = M8	
I1 = 45	
I2 = -	
I3 = -	
I4 = 20	
I5 = 5	